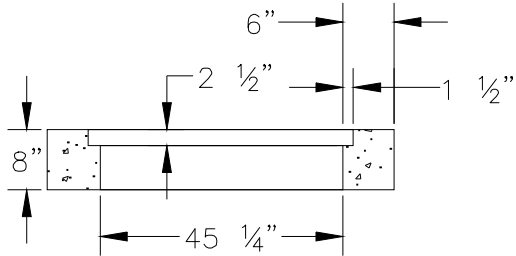
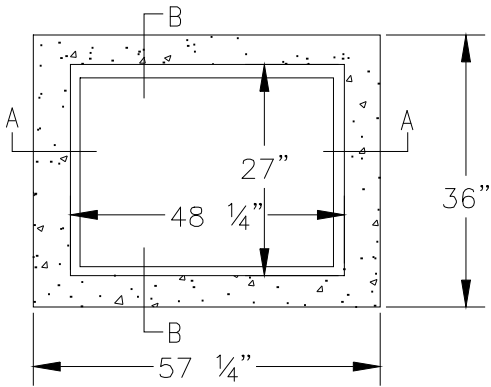


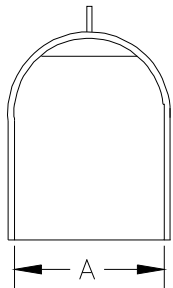
1 1/4" x 1 1/4" x 1/8"
SECTION B-B



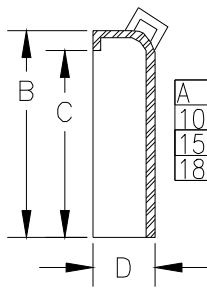
SECTION A-A



PLAN VIEW



GAS TRAP DETAIL



A	B	C	D
10"	16"	13"	5 1/2"
15 1/4"	26"	23"	8"
18 1/4"	31"	28"	10"

TYPE M INLET
CONCRETE TOP
UNIT

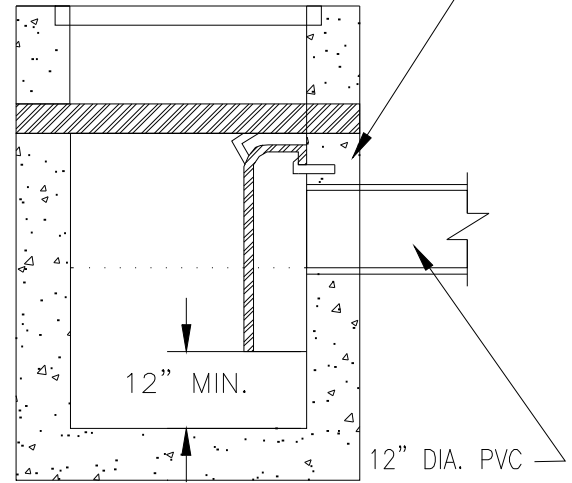
GRATE (STRUCTURAL
STEEL SHOWN)
SEE D-11

GRADE
ADJUSTMENT
RING

INLET BOX

ISOMETRIC VIEW

HANGER BARS
AS REQUIRED



COMPLETE ASSEMBLY



THE CITY OF HARRISBURG
OFFICE OF THE CITY ENGINEER

PROJECT: TYPE M INLET WITH GAS TRAP DETAIL

DRAWN BY: MICHAEL J. HILTON

DATE: SEPTEMBER 25, 1996

CHECKED BY: KRISTIE A. HEBERLIG

SCALE: NONE

SHEET:

D-9